

Testpassport**Q&A**



H i g h e r Q u a l i t y

B e t t e r S e r v i c e !

We offer free update service for one year
[Http://www.testpassport.com](http://www.testpassport.com)

Exam : **NS0-151**

Title : Network Appliance SAN
Exam 7G

Version : Demo

1. Which two of the following commands can be used to enable space reservations for a LUN?

- A. lun create
- B. lun set reservation
- C. fcp -r <lun_path>
- D. iscsi -r <lun_path>

Answer: AB

2. Cloning a LUN from a snapshot will cause that snapshot to be _____.

- A. recreated
- B. corrupted
- C. locked
- D. destroyed

Answer: C

3. For long-term use, a writeable snapshot of a LUN should be turned into a LUN clone.

- A. True
- B. False

Answer: A

4. What is the outcome of the following command ?

```
lun create -b /vol/vol2/.snapshot/testsnap/lun0 /vol/vol2/lun0.clone
```

- A. It creates a duplicate of the clone process of lun0.
- B. It creates a clone of the writeable snapshot of lun0.
- C. It creates a writeable snapshot of lun0.
- D. It creates a snapshot "testsnap" of vol2.

Answer: C

5. When using SnapRestore to restore a single LUN, the LUN must be _____.

- A. mounted on a host
- B. mapped to a Windows server

- C. exported and accessible
- D. taken offline or unmapped

Answer: D

6. The writeable snapshot that is created for a LUN clone depends on _____.

- A. mirroring
- B. the snapshot taken at the time the clone was created
- C. exclusive access to the volume
- D. the data in the original LUN not changing

Answer: B

7. After you clone a LUN, it is a best practice that you _____.

- A. delete the snapshot created by the writeable snapshot
- B. copy the clone to a new volume as soon as possible and delete the old clone
- C. create a snapshot of the original LUN in the event that the clone changes
- D. expand the LUN so that the host does not encounter ENOSPC errors

Answer: A

8. What is the difference between hard and soft zoning?

- A. Soft zones are based on WWNs/WWPNs.
- B. Hard zones are based on WWNs/WWPNs.
- C. Soft zones are based on domain IDs and port IDs.
- D. None of the above is correct.

Answer: A

9. Please click the "Exhibit" button.

```
filer> lun show -m
LUN path                               Mapped to                               LUN ID
-----
/vol/voll/QTUser3/User3luna            UserXig                                  2
/vol/voll/QTUserX/UserXiSCSI           UserXiSCSI                               0
/vol/voll/QTUserX/UserXluna            serXig                                    1
/vol/voll/QTUserX/userxlunx.lun        viaRPC.10:00:00:00:c9:2d:61:fa          0
/vol/voll/adtivedb.lun                 viaRPC.10:00:00:00:c9:2d:61:fa          2
```

Based on the lun show -m output, what can you determine from the LUNs that are mapped to "via RPC"?

- A. The LUNs were mapped manually.
- B. The LUNs were mapped using rsh.
- C. The LUNs were mapped using SnapDrive.
- D. The LUNs were mapped using lun setup.

Answer: B

10. Space reservations are useful in SAN iSCSI and FCP LUN environments.

- A. True
- B. False

Answer: A

11. Applications, such as databases, running on NAS or iSCSI or FCP SAN must be _____.

- A. prepared for snapshots by flushing buffers to disk and momentarily suspending activity
- B. disconnected from their storage resources during the snapshot
- C. using dynamic multipathing during a backup
- D. mirrored with a host-based volume manager to be backed-up

Answer: A

12. Given that there is no real flow control in FCP SAN, attention should be given to monitoring queue depths.

- A. True
- B. False

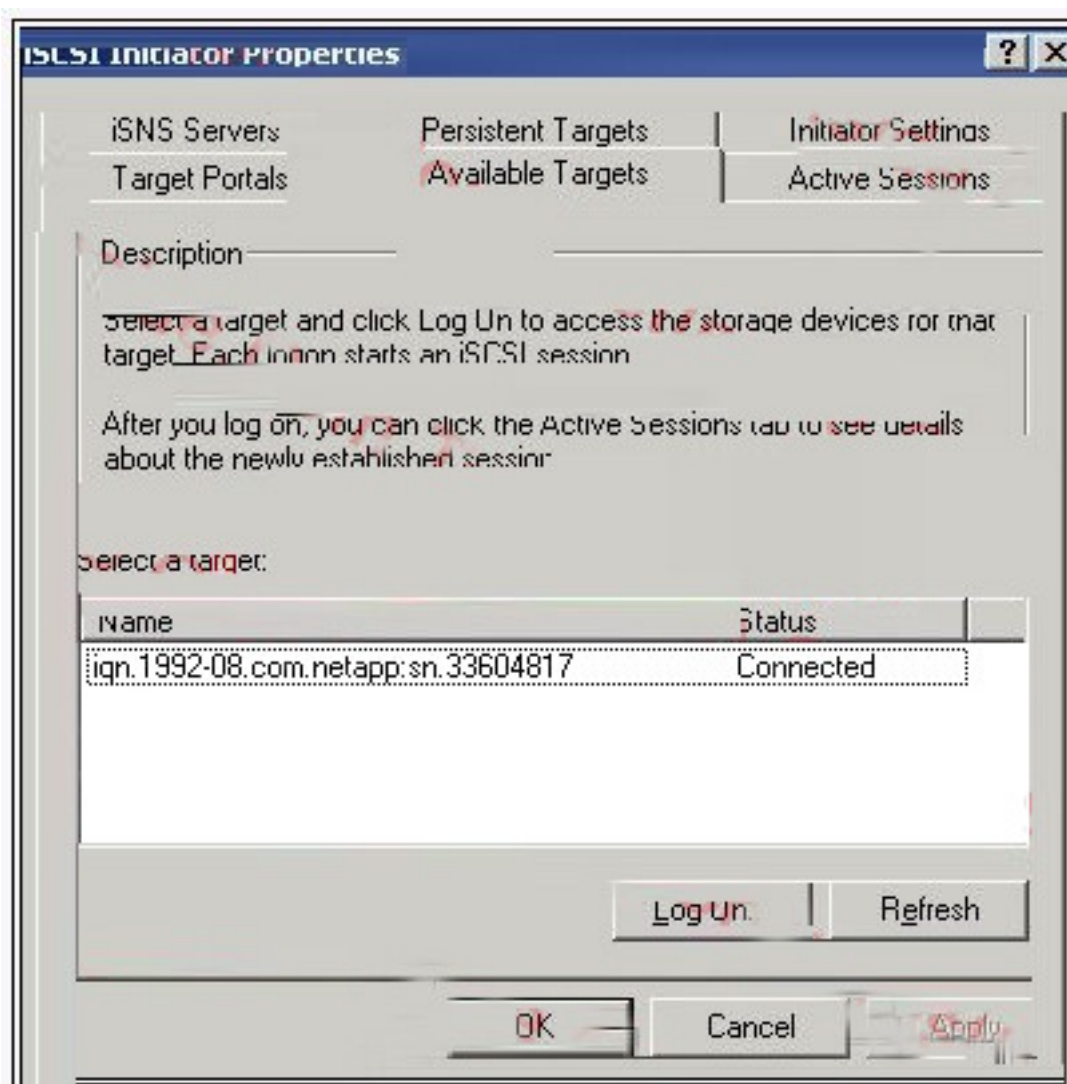
Answer: A

13. What are the minimum and maximum LUN sizes on a NetApp storage appliance using iSCSI and a Microsoft Windows 2000 Server?

- A. Minimum 11.5 MB, Maximum 2TB
- B. Minimum 21.5 MB, Maximum 2.5TB
- C. Minimum 31.5 MB, Maximum 2TB
- D. Minimum 41.5 MB, Maximum 2.5TB

Answer: C

14. Please click the "Exhibit" button.



The target name "iqn.1992-08.com.netapp:sn33604817" appears on the Windows iSCSI Initiator

Properties screen. What command on the storage appliance will display the target name?

- A. iscsi show initiators
- B. iscsi show adapters
- C. iscsi nodename
- D. iscsi config

Answer: C

15. Which of the following commands would you use to verify the iSCSI service is running?

- A. license add iSCSI
- B. iscsi service
- C. iscsi status
- D. iscsi protocol

Answer: C

16. Which three of the following are true of the NetApp iSCSI target (ISWT)? (Choose 3)

- A. It is an iSCSI software interface.
- B. It is an iSCSI hardware interface.
- C. It implements iSCSI protocol.
- D. It supports iSCSI target operation over standard NICs.

Answer: ACD

17. In an iSCSI target configuration, there are two ISWT adapters. The purpose of adapter iswta is for local traffic. What is the purpose of the iSCSI target adapter iswtb?

- A. It is used for partner traffic in a clustered Windows host environment.
- B. It is used for partner traffic in a clustered storage appliance environment.
- C. It is used for iSCSI network traffic when iswta is exceeding thresholds.
- D. It is used for iSCSI network traffic when iswta has failed.

Answer: B

18. Which of the following is not a command that can be performed with the SnapDrive for Windows

graphical user interface?

- A. Create Disk
- B. Create VLD
- C. Connect Disk
- D. Convert VLD to LUN

Answer: B

19. In a Fibre Channel configuration, the host's HBA is referred to as the _____ and the storage appliance's HBA is referred to as the _____.

- A. primary, secondary
- B. initiator, target
- C. secondary, primary
- D. target, initiator

Answer: B

20. Which of the following is not used for creating LUNs on the storage appliance?

- A. lun create
- B. lun setup
- C. FilerView
- D. lun config

Answer: D

21. The three methods to create a LUN are:

lun setup

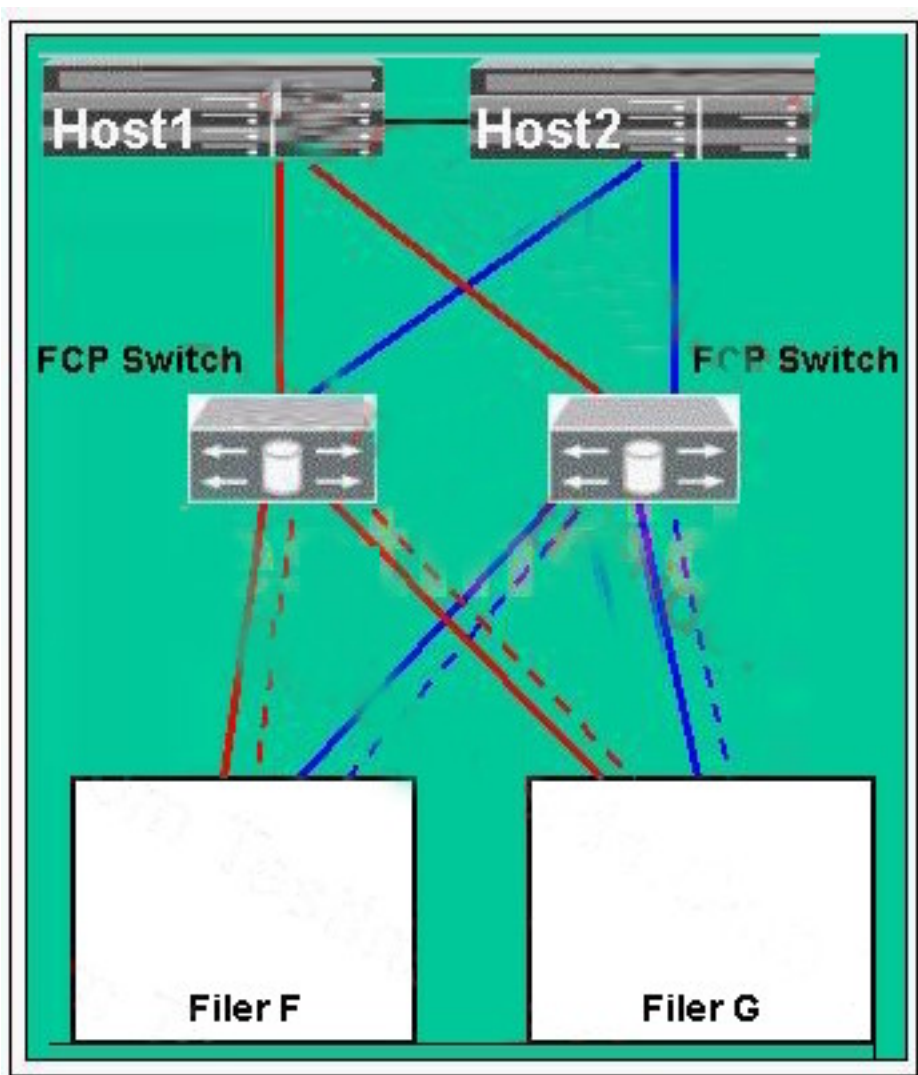
lun map

FilerView

- A. True
- B. False

Answer: B

22. Please click the "Exhibit" button.

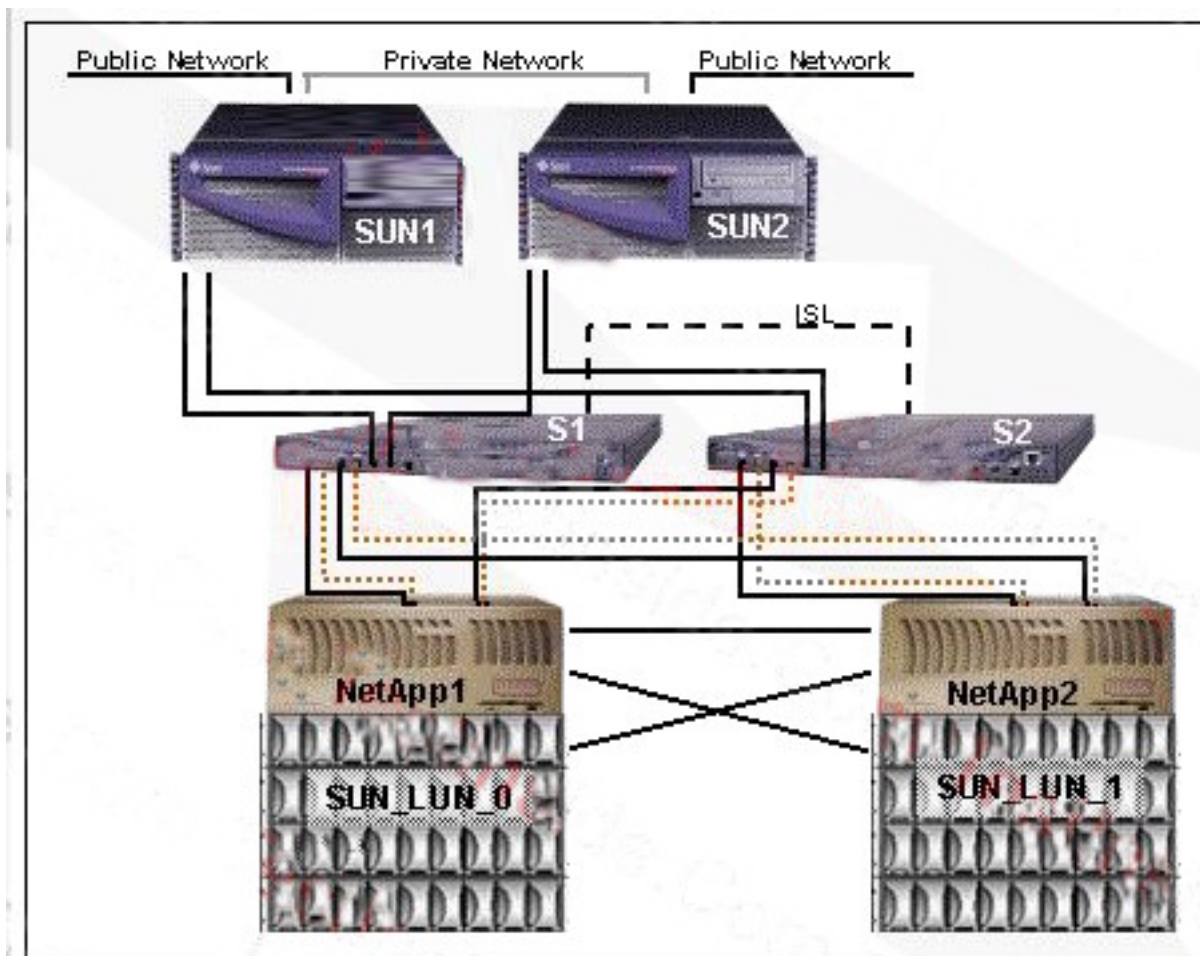


Which configuration type best describes this diagram?

- A. It is a direct attached configuration.
- B. It is a no single point of failure configuration.
- C. It is a clustered host, clustered storage appliance, and clustered FCP switch configuration.
- D. It is an FAS270c configuration.

Answer: B

23. Please click the "Exhibit" button.



In this configuration, the Sun hosts are _____.

- A. configured as mirrors of each other
- B. clustered to each other and multi-pathed to the LUNs
- C. connected via an ISL (Inter System Link)
- D. not configured correctly

Answer: B

24. If you cannot access a LUN that has been created and mapped to an initiator from a Solaris host, what are the two most likely problems? (Choose 2)

- A. The storage appliance is not in the /etc/hosts file.
- B. The LUN ID is not in the /etc/sd.conf file.
- C. The devfsadm command has not been executed.
- D. The LUN ID is not in the /kernel/drv/sd.conf file.

Answer: CD

25. At Network Appliance, the presence of iSCSI or FCP SAN and NAS storage on the same storage appliance is referred to as _____.

- A. consolidated storage
- B. co-mingled storage
- C. unified storage
- D. united storage

Answer: C

26. Which three of the following can coexist on a NetApp storage appliance?

- A. Domain Controller
- B. NFS
- C. CIFS
- D. SAN

Answer: BCD

27. Which of the following is not a characteristic of an iSCSI or FCP SAN implementation?

- A. iSCSI is a TCP/IP method for accessing LUNs.
- B. You can access LUNs through FCP.
- C. Block services are synonymous with an iSCSI or FCP SAN environment.
- D. A LUN can be converted into a VLD.

Answer: D

28. Which three queue statements are true? (Choose 3)

- A. Each device queue maps to one and only one host HBA queue.
- B. Total device queue space on Solaris cannot exceed host HBA queue space.
- C. Total device queue space in Windows cannot exceed HBA target space.
- D. Over-allocation of device queues relative to host HBA space on HP-UX does not lead to problems.

Answer: ABD

29. In FCP SAN and iSCSI SAN, NetApp recommends creating _____ per NetApp cluster node.

- A. no more than 10 volumes
- B. no more than 50 volumes
- C. no more than 100 volumes
- D. no more than 200 volumes

Answer: C

30. If you believe you have an FCP SAN performance problem, which NetApp utility or command would gather both your Solaris host and storage appliance data for analysis?

- A. poststat
- B. perfstat
- C. prestat
- D. sio_ntap.exe

Answer: B