

# **T**estpassport**Q&A**



---

**H i g h e r   Q u a l i t y**

**B e t t e r   S e r v i c e !**

We offer free update service for one year  
[Http://www.testpassport.com](http://www.testpassport.com)

**Exam** : **TB0-106**

**Title** : Tibco Rendezvous 7  
Certification Exam

**Version** : DEMO

1. TIBCO Rendezvous packets being broadcasted on the network are \_\_\_\_\_.
- A. sent only to the hosts on the subnet running RVD
  - B. sent to all the hosts on the subnet, even those not running RVD
  - C. filtered out by the NIC of hosts on the subnet, unless there is an RVD running
  - D. sent to all the hosts on the campus, regardless of which subnet they are attached to

Answer: B

2. When using Reliable QoS, when can messages be lost?
- A. when the receiver application does not process them within 60 seconds
  - B. when all datagrams of a single message are not received in order by the receiver RVD daemon
  - C. when a receiver RVD daemon does not acknowledge all datagrams of a single message to the sender RVD daemon
  - D. when there is a network outage between the publisher and the subscriber that lasts more than the reliability window's size

Answer: D

3. What is Direct Communication?

- A. It is a communication mechanism used for point-to-point communications using TIBCO Rendezvous daemon. It is used to decrease message latency and context switching.
- B. It is a variant of TIBCO Rendezvous point-to-point communications with inbox. It allows you to avoid using the inbox destination subject thereby allowing one-to-many direct connections.
- C. It is a communication mechanism for point-to-point communications only. Without using the TIBCO Rendezvous daemon, you must still specify the inbox message subject. It reduces message latency and context switching.
- D. It is a quality of service that provides a one-to-one connection using TIBCO Rendezvous daemon between two terminals. It provides a monitored environment between the two programs, in addition to reducing the message latency and context switching.

Answer: C

4. Which three statements are true about service group usage? (Choose three.)

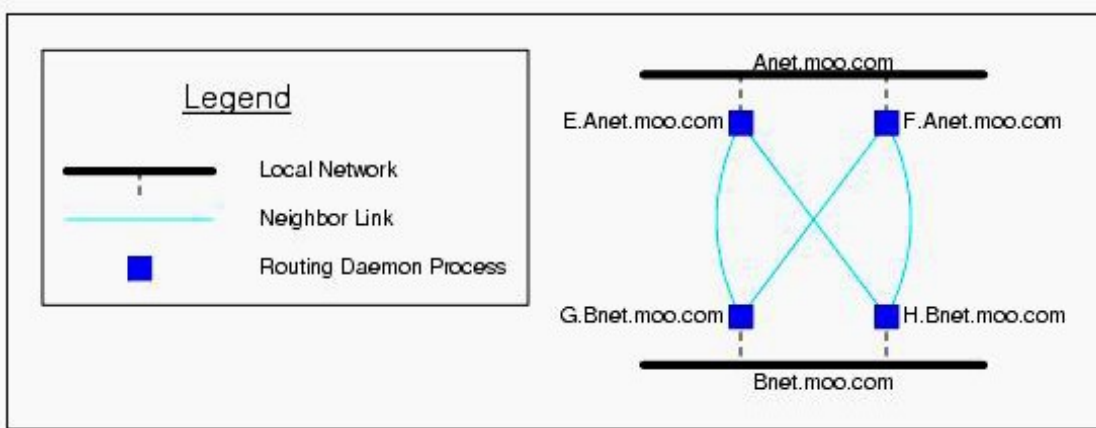
- A. Inbound broadcast messages on the transport service can arrive from any network, regardless of the transport network parameter.
- B. Once a network binds a service defined by service parameter, outbound broadcast messages can only travel within the network defined by the transport's network parameter.
- C. Point-to-point messages on the transport service travel on the appropriate network (as determined by the operating system) regardless of the transport network parameter.
- D. The program A, on the computer named TAHOE, has a transport that communicates on the service 7400 over the network NET1. It is legal for any program to subsequently create a transport (connecting to the same daemon process on TAHOE) to communicate on 7400 over any other network, such as NET2.

Answer: ABC

5. Click the Exhibit button.

In the figure shown in the exhibit, two routing daemon processes, E.Anet.moo.com and F.Anet.moo.com, run on separate host computers. They serve the local client network Anet.moo.com. Routing daemons G.BNet.moo.com and H.BNet.moo.com both serve local client network Bnet.moo.com. Neighbor links connect E with G and H, and also F with G and H.

Which two statements are true about this configuration? (Choose two.)



- A. Messages sent to E.Anet.moo.com will be forwarded to G.BNet.moo.com twice.
- B. Since these neighbors links offer redundant paths, such configuration is not allowed.
- C. Messages sent to E.Anet.moo.com will also be received by H.BNet.moo.com only once.
- D. Messages sent to E.Anet.moo F.Anet.moo.com will be forwarded to G.BNet.moo.com and H.BNet.moo.com only if G and H are passive neighbors of E and F respectively.
- E. Although these neighbor links offer redundant paths from Anet to Bnet, the routing daemons cooperate to forward each message only once.

In failure situations, the routing daemons automatically readjust to continue service smoothly.

Answer: CE

6. How is multicast enabled in TIBCO Rendezvous?

- A. by setting the proper configuration in the daemon parameter of a transport
- B. by setting the proper configuration in the service parameter of a transport
- C. by setting the proper configuration in the network parameter of a transport
- D. by specifying the parameter -multicast in the TIBCO Rendezvous daemon

Answer: C

7. Which three statements are true about a TIBCO Rendezvous daemon on a computer with more than one network interface? (Choose three.)

- A. When sending an outbound broadcast packet, IP software sends the packet on only one network.
- B. When sending an outbound broadcast packet, IP software sends the packet on multiple networks.
- C. When sending an outbound broadcast packet, IP software needs to use service parameters, not network parameters.
- D. When IP software presents an inbound packet to a client program (such as RVD), it includes the network on which that packet arrived.
- E. TIBCO Rendezvous programs must not attempt to combine communications over different network interfaces using the same UDP or PGM service.
- F. When IP software presents an inbound packet to a client program (such as RVD) it does not include

any indication of the network on which that packet arrived.

Answer: AEF

8. Which subject structure must be forwarded by a TIBCO Rendezvous routing daemon when deploying RVFT members across different subnets?

- A. `_RVFT.<group_name>`
- B. `_RVFT.<group_name>.*`
- C. `_RVFT.*.<group_name>`
- D. `_RVFT.*.<group_name.>.>`

Answer: C

9. You are deploying two RVRDs on the same subnet. To provide fault tolerance, they MUST \_\_\_\_\_.

- A. have the same router name
- B. have the same set of neighbors
- C. be configured with the same local network
- D. be launched with the `-ft` command line argument

Answer: C

10. Which three do you use to isolate TIBCO Rendezvous buses when multiple logical environments are used? (Choose three.)

- A. a different UDP port per environment
- B. a different broadcast group per environment
- C. a different Service Group (multicast + service) per environment
- D. the environment specification as part of the subject name space
- E. the host name of the machine as part of the subject name space

Answer: ACD

11. What are two possible ways to use the UDP port 7800 for a TIBCO Rendezvous transport? (Choose two.)

- A. set transport `DAEMON` parameter to 7800
- B. set transport `SERVICE` parameter to 7800
- C. leave the specific transport parameter as null and create an entry in the operating system's services file with `rv 7800/udp`
- D. leave the specific transport parameter as null and create an entry in the operating system's services file with `rendezvous 7800/udp`

Answer: BD

12. Which two methods suppress Daemon Auto-Start? (Choose two.)

- A. specify the local daemon with a two-part parameter; use `-no-auto` for the first part
- B. remove/rename RVD from all the directories included in `path` environment variable
- C. specify the network parameter with `localhost` parameter as if it were a remote daemon; use either the local computer's loopback address, `127.0.0.1`, or the local host name
- D. specify the local daemon with a two-part parameter as if it were a remote daemon; for the first part supply either the local computer's loopback address, `127.0.0.1`, or the local host name

Answer: BD

13. What is `tibrvTransport_SendRequest()`?

- A. It is a synchronous call that creates an inbox name, sends the outbound message, and blocks until the listener receives a reply.
- B. It is a synchronous call that creates an inbox, and blocks until the listener receives a reply. A separate call, `tibrvTransport_Send()`, is explicitly need to send the outbound message.
- C. It is an asynchronous call that creates an inbox name, sends the outbound message, and moves on to other activities until reply comes in.
- D. It is an asynchronous call that creates an inbox name, and then asynchronously receives the replies as they come in. A separate call, `tibrvTransport_Send()`, is explicitly needed to send the outbound message.

Answer:A

14. Given the following code:

```
tibrv_status tibrvcmTransport_RemoveListener(  
tibrvcmTransport cmTransport,  
const char* cmName,  
const char* subject);
```

Which two statements on are true? (Choose two.)

- A. This function cancels certified delivery of the specific subject to the correspondent with this name and prohibits re-registration.
- B. When a sending program calls this function, certified delivery software in the sender behaves as if the listener was killed abruptly.
- C. When a sending program calls this function, certified delivery software in the sender behaves as if the listener closed the endpoint for the subject.
- D. This function cancels certified delivery of the specific subject to the correspondent with this name. The listening correspondent may subsequently re-register for certified delivery of the subject.

Answer: CD

15. Which statement is correct about messages sent on subject `_LOCAL.TEST`?

- A. Messages with subject names that have `_LOCAL` prefix are only visible to the sender transport running on the same box.
- B. Messages with subject names that have `_LOCAL` prefix are only visible to the sender transports using intra-process transport.
- C. Messages with subject names that have `_LOCAL` prefix are only visible to the sender transports using the `-network 127.0.0.1` parameter.
- D. Messages with subject names that have `_LOCAL` prefix are only visible to the sender transports connecting to thesame TIBCO Rendezvous daemon.

Answer: D

16. Following TIBCO recommendations, what should be the heartbeat interval of an RVCMQ member

with a given

Activation Interval of 10 seconds, when all members are located in the same LAN?

- A. 0.3 seconds
- B. 3 seconds
- C. 10 seconds
- D. 15 seconds

Answer: B

17. Which step must be taken to use TIBCO Rendezvous Secure daemons?

- A. use the 442 port for the daemon parameter
- B. create the secure context by calling any of the `tibrvSecureDaemon_Set...()` functions
- C. create a `TibrvSdTransport` object, linking all end points (publishers and subscribers) to it
- D. open the TIBCO Rendezvous context by calling the `tibrv_Open(TIBRV_SECURE_USE_SECURITY);` function call

Answer: B

18. A Certified Messaging (CM) subscriber with a reusable name is restarted. It did not receive the message sent while the CM subscriber was down. What are two possible reasons for this? (Choose two.)

- A. The messages were expired.
- B. The CM relay agent was not used.
- C. The messages were PTP messages.
- D. Old messages were not required when the subscriber CM transport was created.

Answer:AD

19. A customer information lookup service works in the following manner:

The client application makes a request to the server using the customerID. The server application subscribes to this requests, looks up the customer record in a database and returns the complete customer record to the initiating client.

What would be the most efficient subject name usage for this service?

- A. The client application creates an inbox listener and publishes a message on the lookup subject with its inbox name in the `reply` message field and the customerID in the `custid` message field. The server application subscribes to lookup and publishes its reply on the subject contained in the `reply` message field.
- B. The client application creates an inbox listener and publishes a message on the `lookup.customerID` subject with its inbox name in the `reply` message field. The server application subscribes to `lookup.*`, gets the customerID from the subject name field of the messages it receives and publishes its reply on the subject contained in the `reply` message field.
- C. The client application creates a listener on the `lookup.reply.customerID` subject and publishes a message on the `lookup.request` subject with the customerID in the `custid` message field. The server application subscribes to `lookup.request` and publishes its reply on `lookup.reply.customerID`.
- D. The client application creates an inbox listener and publishes a message on the `lookup.<_INBOX>` subject with its inbox name as the second part of the subject and the customerID in the `ustid` message field. The server application subscribes to `lookup.*` and publishes its reply on the subject contained in the second part of the subject.

Answer:A

20. What does the following TIBCO Rendezvous error message indicate?

`_RV.ERROR.SYSTEM.CLIENT.SLOWCONSUMER`

- A. The client application is overloaded and is unable to process incoming messages.
- B. The TIBCO Rendezvous daemon is unable to use sufficient CPU cycles to process incoming packets.
- C. At least one message has been discarded by TIBCO Rendezvous daemon due to an incorrect UDP packet received.
- D. There is a problem with the client application, which prevents it from consuming the incoming messages within a 30 seconds window.

Answer:A