

# **T**estpassport**Q&A**



---

**H i g h e r   Q u a l i t y**

**B e t t e r   S e r v i c e !**

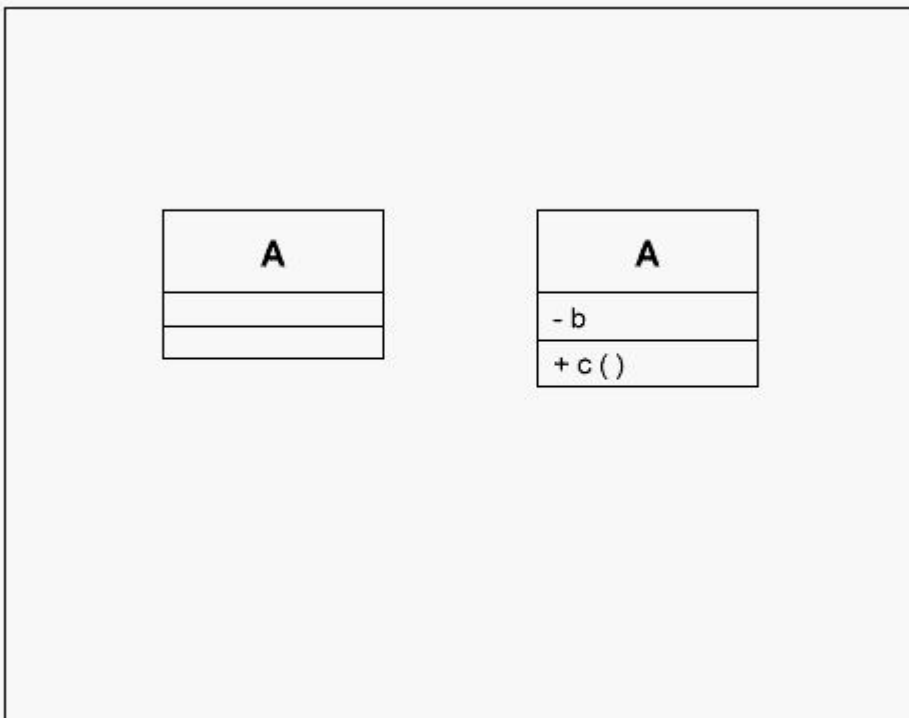
We offer free update service for one year  
[Http://www.testpassport.com](http://www.testpassport.com)

**Exam** : **000-633**

**Title** : rational-object oriented  
analysis and design-part1

**Version** : DEMO

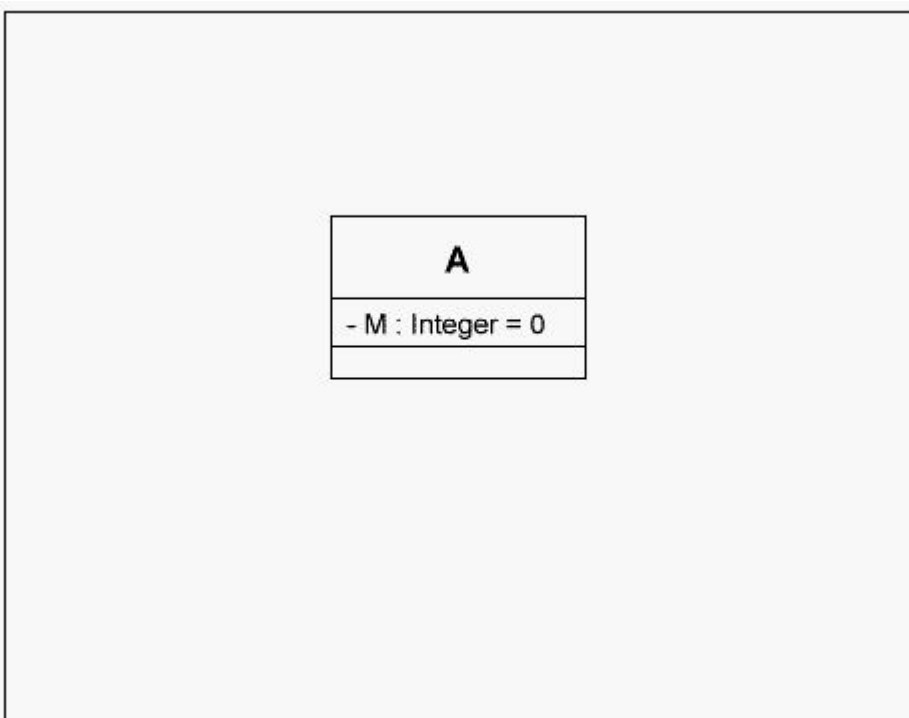
1. Click the Exhibit button below. What do the icons on the illustration represent?



- A. Two distinct objects
- B. Two distinct classes
- C. Same class
- D. Same object

**Correct: C**

2. Click the Exhibit button below. What kind of attribute value does M represent in the diagram?



- A. Static value of 0

- B.Default value of 0
- C.Current value of 0
- D.Constant value of 0

**Correct:B**

**3.Which of the following are characteristics of a package? (Select all that apply.)**

- A.Helpful in organizing classes in large models
- B.May include nested packages
- C.A logical collection of classes
- D.Always realizes an interface

**Correct:A B C D**

**4.What relationships are allowed between actors?**

- A.Extend
- B.Include
- C.Realization
- D.Generalization

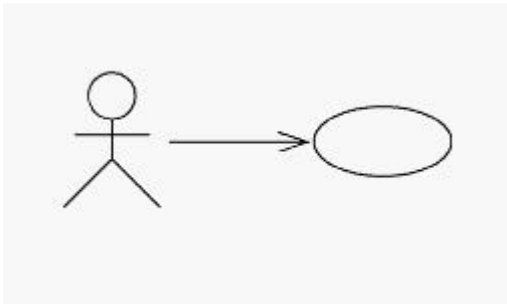
**Correct:D**

**5.What does a sequence diagram represent?**

- A.Classes and their relationships
- B.The life history of a given class
- C.Relationships among use cases and scenarios
- D.All system-level interfaces
- E.Objects and the messages involved in a single scenario

**Correct:E**

**6.Click the Exhibit button below. What does this diagram show about the relationship between the actor and use case?**



- A.The actor inherits behavior from the use case.
- B.The actor depends on the use case.
- C.The actor initiates the use case.
- D.The actor realizes the use case.

**Correct:C**

**7.What principle enables you to modify the implementation of a class without impacting client code?**

- A.Polymorphism
- B.Encapsulation
- C.Inheritance
- D.Multiplicity

E.Abstraction

**Correct:B**

**8.A contains B; B can exist outside of A so B's lifetime is NOT tied to A's lifetime. Which diagram models this scenario?**

A.



B.



A.D

**Correct:A**

**9.Which relationships apply between use cases? (Select all that apply.)**

- A.Extend
- B.Inheritance
- C.Generalization
- D.Include

**Correct:A C D**

**10.An interface is**

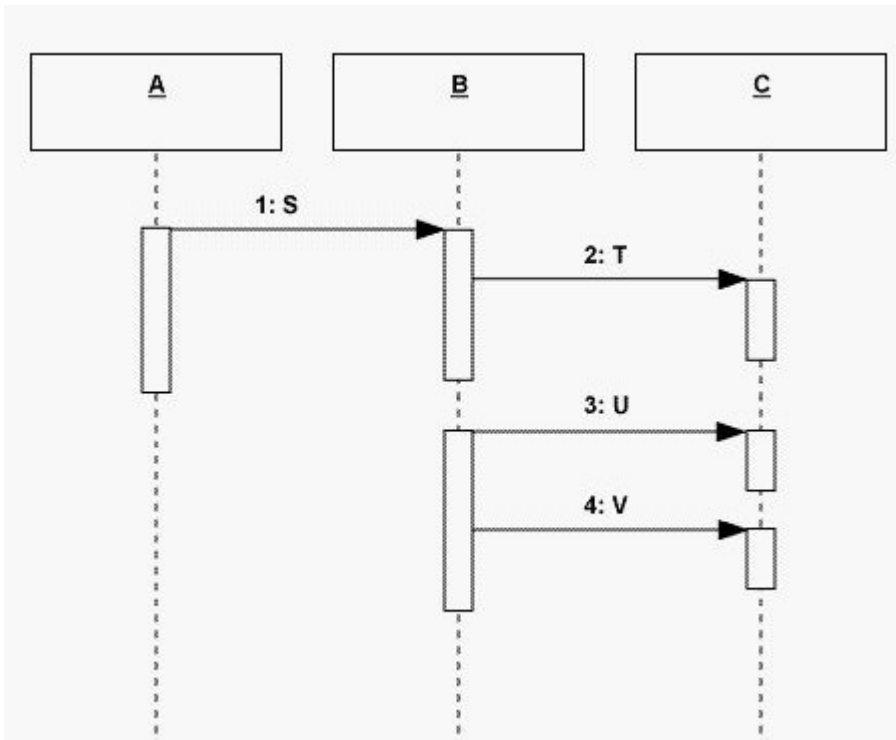
- A.A stereotype of a package representing the methods which exported classes in the package support.
- B.A description for the externally visible operations of a class, component, subsystem, or other entity.

C.The public and private parts of a class.

D.A description of the externally visible operations of a package.

**Correct:B**

**11.View the sequence diagram:**



A.A

**Correct:A**

**12.What statement best describes an association?**

A.A general relationship among classes indicating that the classes are connected in some way.

B.Represented on a class diagram using a diamond symbol.

C.Always represented on a class diagram using an arrow.

D.A relationship from a whole to its parts.

E.Always one-way.

**Correct:A**

**13.What statement defines abstraction?**

A.An approach that helps us deal with complexity by emphasizing relevant characteristics and suppressing other details.

B.The practice of separating the interface of a class from its implementation and hiding the implementation.

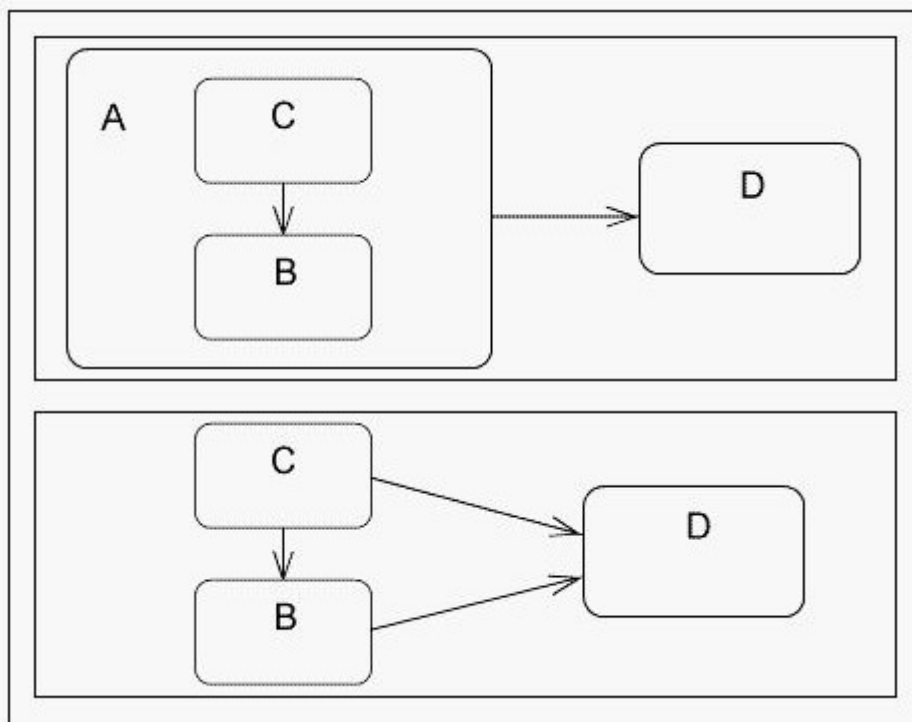
C.A specialized form of association in which a whole is related to its parts.

D.A logical collection of classes.

E.A number of time-ordered steps or statements expressed in natural language.

**Correct:A**

**14.Click the Exhibit button below. The two statechart diagrams shown here represent the same information.**

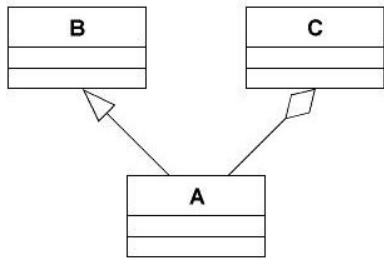


- A.True
- B.False

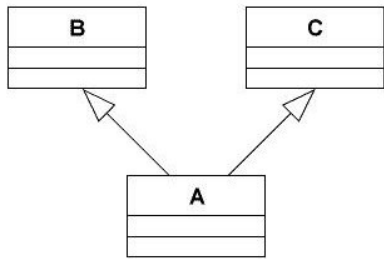
**Correct:A**

**15.Which one of the following diagrams shows multiple inheritance?**

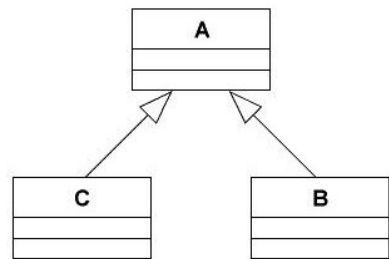
C.A.



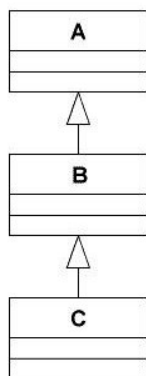
C.B.



C.C.



C.D.



A.B



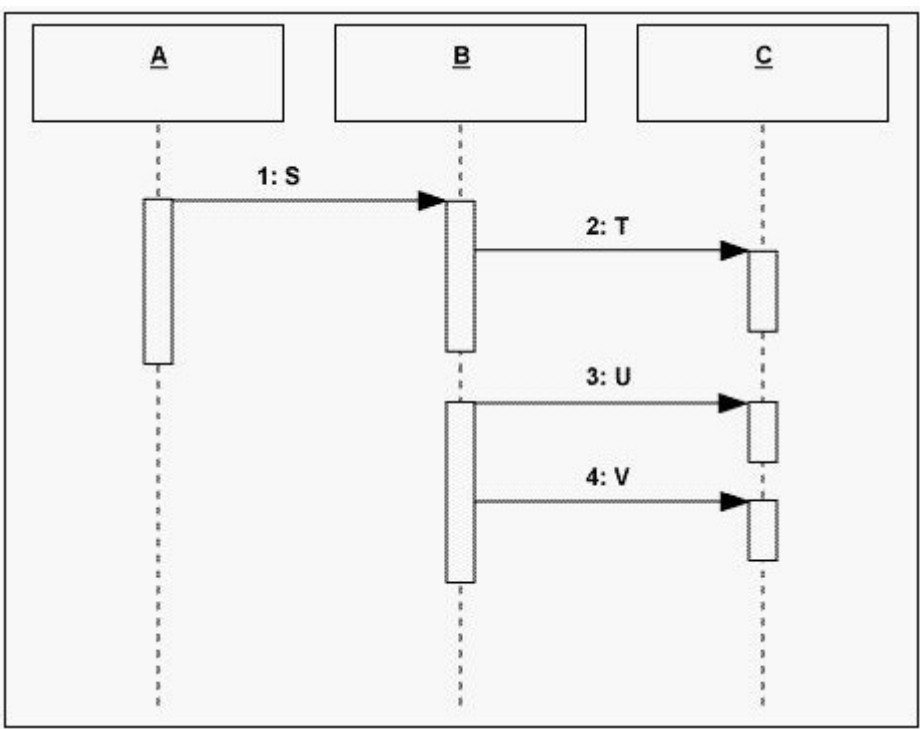
**Correct:A**

**16.What relationships can exist between packages? (Select all that apply.)**

- A.Generalization
- B.Associations
- C.Aggregation
- D.Dependency

**Correct:A B D**

**17.Click the Exhibit button below. How long does A maintain control?**



- A.Until step 4 is completed
- B.Until step 2 is complete
- C.Until all steps are completed
- D.Until step 3 starts

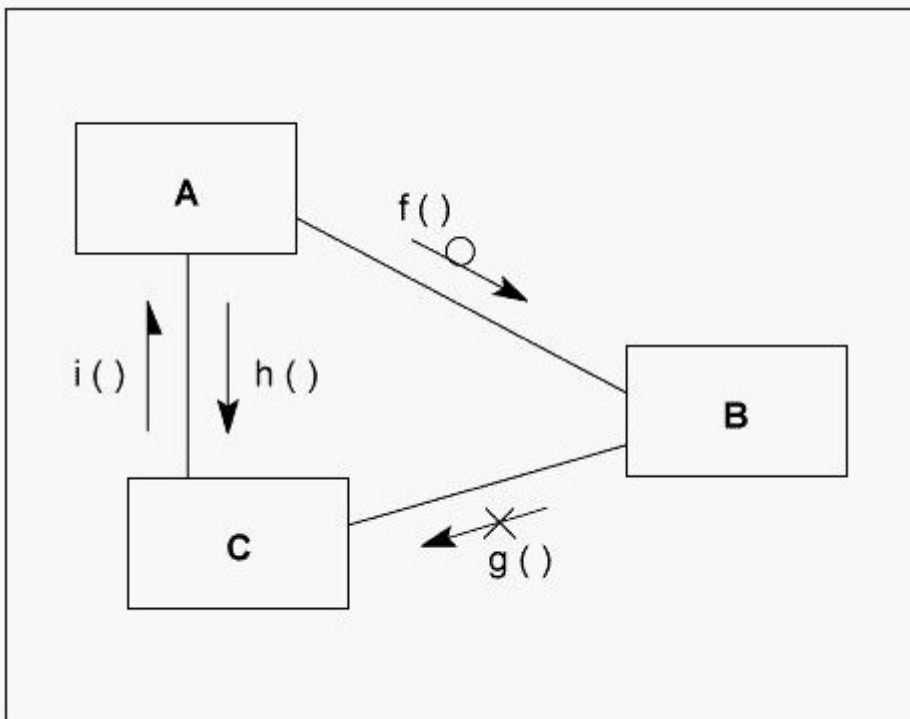
**Correct:B**

**18.What can a subclass inherit from its superclass?**

- A.Attributes and operations only
- B.Operations only
- C.Relationships only
- D.Attributes, operations, and relationships
- E.Use cases

**Correct:D**

**19.Click the Exhibit button below. What adornment in this figure represents simple messaging?**



- A.f()
- B.g()
- C.h()
- D.i()

**Correct:C**

**20.You can specify the multiplicity of an attribute by inserting a suitable expression just after the attribute name.**

- A.True
- B.False

**Correct:A**